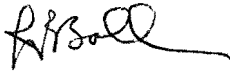


REVISIONS			
SYMBOL	DESCRIPTION	DATE	APPROVAL
-	Original Release	9/1/95	J.R. Bollman
A	Revised Package Outline	11/22/95	J.R. Bollman
B	Modified Paragraph 3.4.8 Matching Ratio and Tracking	4/3/96	J.R. Bollman
C	Change R2 from 666.7K $\Omega$ to 666.7 $\Omega$	5/29/96	

**SHEET REVISION STATUS**

SH	1	2	3	4	5	6	7	8	9	10	11	12	13	14	15	16	17	18	19	20	
REV	A	A	B	A	C																
SH	21	22	23	24	25	26	27	28	29	30	31	32	33	34	35	36	37	38	39	40	
REV																					

<b>ORIGINATOR:</b> C. R. Cluff/Unisys	<b>DATE</b> 8/30/95	<b>FSC: 5905</b>
<b>APPROVED:</b> Sam Archer-Davies	8/30/95	Resistor, Network - Precision
<b>CODE 311 APPROVAL:</b> Michael J. Sampson	8/31/95	
<b>CODE 311 SUPERVISORY APPROVAL:</b> Ron Chinnapongse	8/31/95	
<b>ADDITIONAL APPROVAL:</b> Jim Lohr	8/31/95	<b>S-311-P-799/05</b>

**NATIONAL AERONAUTICS AND SPACE ADMINISTRATION  
 GODDARD SPACE FLIGHT CENTER  
 GREENBELT, MARYLAND 20771  
 CAGE CODE: 25306**

Page 1 of 5

1. SCOPE

1.1 Scope This specification slash sheet covers the detail requirements for a precision resistor network packaged in a 16-lead flatpack. This slash sheet, in conjunction with GSFC procurement specification S-311-P-799, details the electrical, physical, and performance requirements for this component.

1.2 Part Number. The GSFC part number for this device is: S-311-P-799/05

2. APPLICABLE DOCUMENTS

2.1 Documents. The following documents, of the issue in effect on the date of invitation for bids or request for proposal, form a part of this specification to the extent specified herein.

MILITARY

MIL-R-83401 Resistor Networks, Fixed, Film, General Specification for

GSFC SPECIFICATION

S-311-P-799 Procurement Specification for Electro-film Resistor Network

2.2 Order of precedence. In the event of any conflict between the text of this specification and the references cited herein, the text of this specification shall take precedence. However, nothing in this text shall supersede applicable laws and regulations unless a specific exemption has been obtained.

2.3 Copies of documents. Copies of federal and military documents can be obtained from the procuring agency.

3. REQUIREMENTS

This network shall meet the requirements of MIL-R-83401 and GSFC procurement specification S-311-P-799 to the extent specified in this detail slash sheet.

3.1 Package outline. This device shall conform to the package outline shown Figure 1 and shall meet the package requirements specified in GSFC S-311-799.

3.2 Schematic. The schematic for the network is shown in Figure 2.

3.3 Pin-out configuration. The pin-out configuration for the device is as shown in Table 1.

3.4 Performance requirements. The performance requirements, when tested in accordance with MIL-R-83401 and GSFC S-311-P-799, shall be as follows:

3.4.1 Operating temperature range. The operating temperature range is -55°C to 125°C ambient.

3.4.2 Individual power ratings. The power rating for individual resistors shall be as shown in Table 1 at 125°C and linearly derated to 0W at 175°C

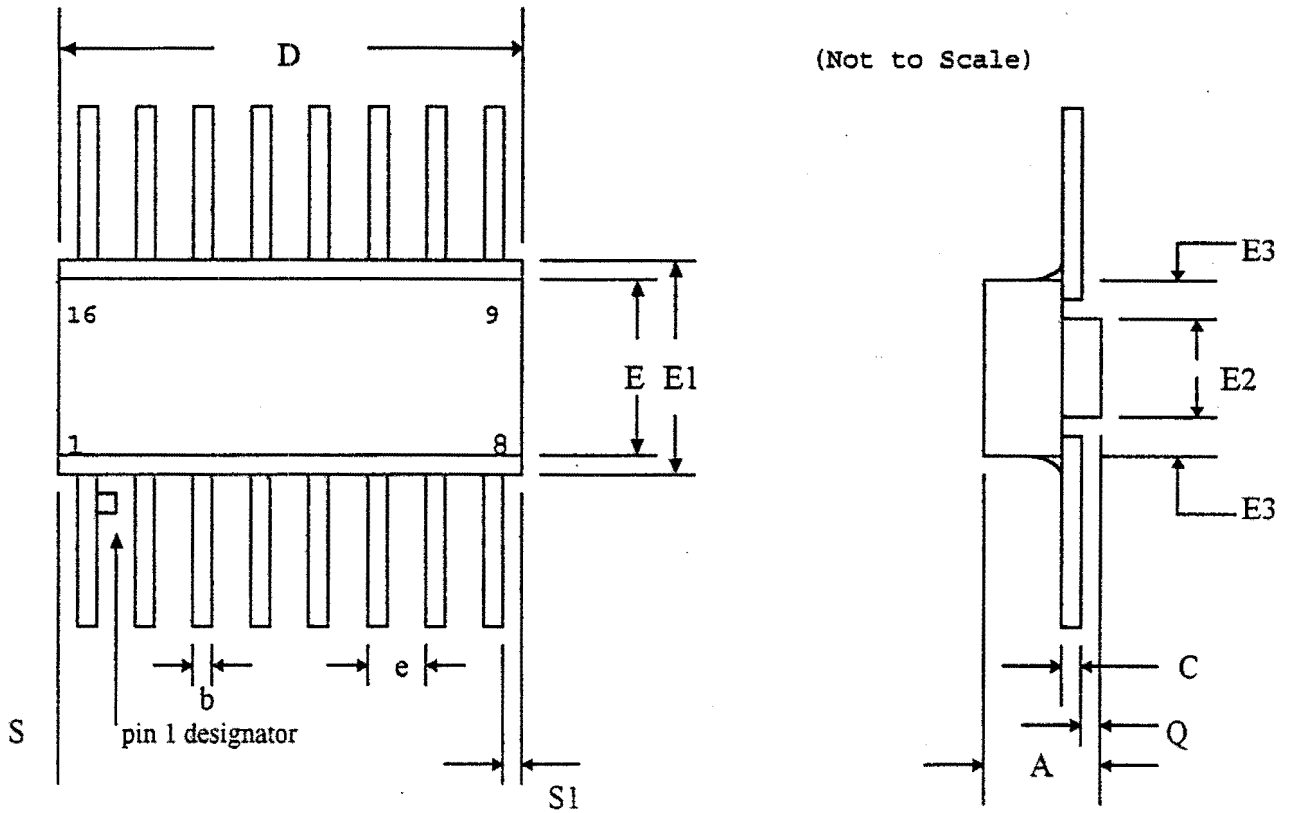
3.4.3 Package power ratings. The power rating for the package shall be 800 mW at 70°C

3.4.4 Voltage rating. Each resistor element shall have a continuous working voltage rating as calculated by the Voltage Rating formula specified in para. 3.5.2 of S-311-P-799 and the PD value specified in Table 1 herein.

3.4.5 Resistance value. The resistance of each resistor for the network is as defined in Table 1.

- 3.4.6 Resistance tolerance. The resistance tolerance for this network shall be  $\pm 0.05\%$ .
- 3.4.7 Temperature coefficient of resistance (TC). The TC shall not exceed 10 ppm/ $^{\circ}\text{C}$  when referenced to the resistance at 25 $^{\circ}\text{C}$  ambient.
- 3.4.8 Matching ratio and tracking. The matching ratio, when referenced to R1, shall be 0.005%, when measured at 25 $^{\circ}\text{C}$ , and the TCR tracking shall not exceed 0.5 ppm/ $^{\circ}\text{C}$  maximum over the operating temperature range.
- 3.4.9 Dielectric withstanding voltage. The dielectric withstanding voltage shall be 100V with the leakage limit of 1.0 mA.
- 3.4.10 Insulation resistance. The insulation resistance shall not be less than 10,000 megohms.
- 3.4.11 Short time overload. When tested as specified in MIL-R-83401 para. 4.6.10, there shall be no evidence of arcing, burning, or charring. The change in resistance shall not exceed  $\pm 0.25\%$ .
- 3.5 Burn-in. For burn-in (power conditioning), apply bias to resistor(s) to maintain the rated power dissipation of the devices at 125 $^{\circ}\text{C}$ . Part manufacturer shall provide burn-in test conditions and schematic to the procuring activity, if requested.
4. **QUALITY ASSURANCE PROVISIONS**  
The quality assurance provisions for this device are as detailed in GSFC procurement specification S-311-P-799.
5. **PACKAGING REQUIREMENTS**  
Packaging and packing shall be as detailed in GSFC procurement specification S-311-P-799.
6. **NOTES**
- 6.1 Intended use. Resistor networks described herein are intended for use in electronic circuits where high reliability and precision are required.
- 6.2 Data package. The data package is detailed in GSFC procurement specification S-311-P-799.

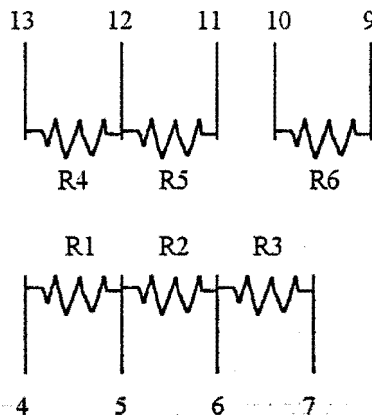
**Figure 1 Package Outline**



All dimensions are shown in inches.

	A	b	C	D	e	E	E1	E2	E3	Q	S	S1
Min	0.086	0.015	0.004	0.407	0.047	0.275	-----	0.184	0.030	0.026	-----	0.005
Max	0.106	0.019	0.007	0.423	0.053	0.285	0.315	0.196	-----	-----	0.045	-----

**Figure 2 Device Schematic**



**Table 1**

Resistor Number	Resistance Value (Ohms)	Power Rating (mW)	Resistor Connections
R1	3 K	40	4-5
R2	666.7	100	5-6
R3	3 K	40	6-7
R4	10 K	40	12-13
R5	6.3 K	40	11-12
R6	3.865 K	40	9-10

Pin numbers not referenced are not connected.